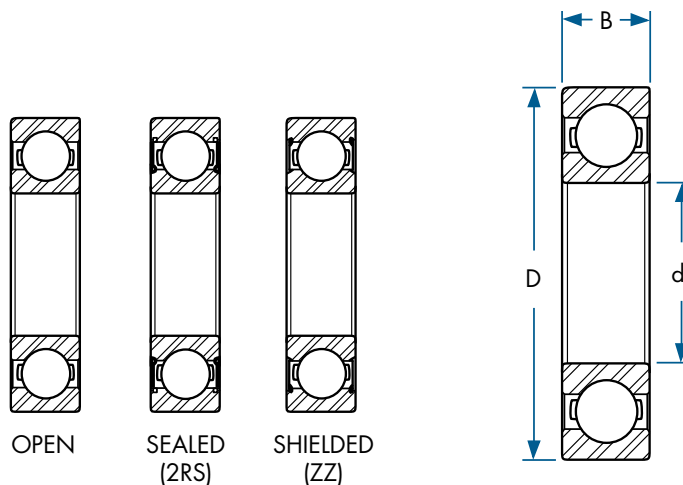


16000 series



Bearing Number	Dimensions (mm)			Load Rating (lbf)		Limiting Speed (RPM)	Weight (lbs)
	Bore	OD	Width	Dynamic	Static		
	d	D	B	Cr	Cor		
16002	15	32	8	1250	640	24000	0.06
16003	17	35	8	1340	735	22000	0.07
16004	20	42	8	1760	915	18000	0.11
16005	25	47	8	1980	1040	16000	0.12
16006	30	55	9	2550	1660	13000	0.20
16007	35	62	9	2750	1960	11000	0.24
16008	40	68	9	3000	2320	10000	0.29
16009	45	75	10	3550	2750	9000	0.37
16010	50	80	10	3600	3000	8500	0.40
16011	55	90	11	4400	3650	7500	0.57
16012	60	95	11	4500	3900	7000	0.64
16013	65	100	11	4800	4400	6700	0.66
16014	70	110	13	5400	5000	6000	0.97
16015	75	115	13	6400	6000	5600	1.01
16016	80	125	14	7200	6950	5300	1.34
16017	85	130	14	7800	7500	5000	1.41
16018	90	140	16	9200	8800	4500	1.87
16019	95	145	16	9500	9150	4500	1.96
16020	100	150	16	9800	9500	4300	2.07